



Full wwPDB X-ray Structure Validation Report ⓘ

May 16, 2020 – 09:36 pm BST

PDB ID : 5LRD
Title : Crystal structure of Glycogen Phosphorylase b in complex with KS242
Authors : Kantsadi, A.L.; Leonidas, D.D.
Deposited on : 2016-08-18
Resolution : 1.80 Å(reported)

This is a Full wwPDB X-ray Structure Validation Report for a publicly released PDB entry.

We welcome your comments at validation@mail.wwpdb.org

A user guide is available at

<https://www.wwpdb.org/validation/2017/XrayValidationReportHelp>

with specific help available everywhere you see the ⓘ symbol.

The following versions of software and data (see [references ⓘ](#)) were used in the production of this report:

MolProbity : 4.02b-467
Mogul : 1.8.5 (274361), CSD as541be (2020)
Xtriage (Phenix) : 1.13
EDS : 2.11
buster-report : 1.1.7 (2018)
Percentile statistics : 20191225.v01 (using entries in the PDB archive December 25th 2019)
Refmac : 5.8.0158
CCP4 : 7.0.044 (Gargrove)
Ideal geometry (proteins) : Engh & Huber (2001)
Ideal geometry (DNA, RNA) : Parkinson et al. (1996)
Validation Pipeline (wwPDB-VP) : 2.11

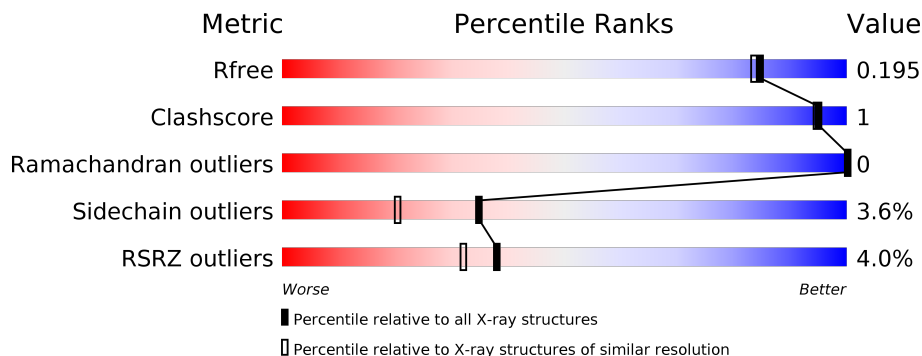
1 Overall quality at a glance

The following experimental techniques were used to determine the structure:

X-RAY DIFFRACTION

The reported resolution of this entry is 1.80 Å.

Percentile scores (ranging between 0-100) for global validation metrics of the entry are shown in the following graphic. The table shows the number of entries on which the scores are based.



Metric	Whole archive (#Entries)	Similar resolution (#Entries, resolution range(Å))
R_{free}	130704	5950 (1.80-1.80)
Clashscore	141614	6793 (1.80-1.80)
Ramachandran outliers	138981	6697 (1.80-1.80)
Sidechain outliers	138945	6696 (1.80-1.80)
RSRZ outliers	127900	5850 (1.80-1.80)

The table below summarises the geometric issues observed across the polymeric chains and their fit to the electron density. The red, orange, yellow and green segments on the lower bar indicate the fraction of residues that contain outliers for ≥ 3 , 2, 1 and 0 types of geometric quality criteria respectively. A grey segment represents the fraction of residues that are not modelled. The numeric value for each fraction is indicated below the corresponding segment, with a dot representing fractions $\leq 5\%$. The upper red bar (where present) indicates the fraction of residues that have poor fit to the electron density. The numeric value is given above the bar.

Mol	Chain	Length	Quality of chain
1	A	843	

2 Entry composition [i](#)

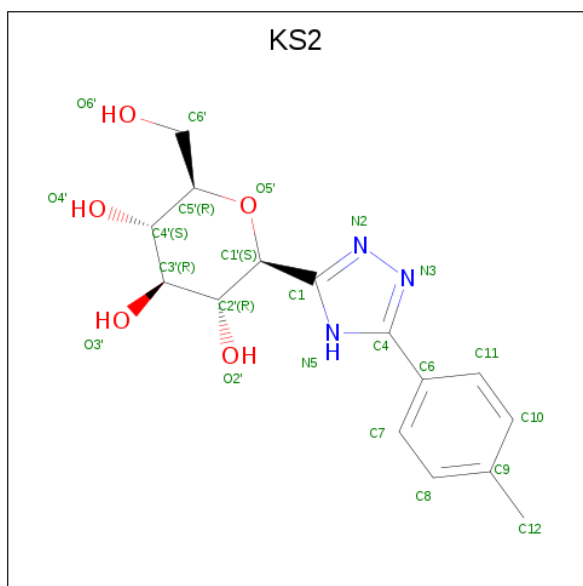
There are 5 unique types of molecules in this entry. The entry contains 6945 atoms, of which 0 are hydrogens and 0 are deuteriums.

In the tables below, the ZeroOcc column contains the number of atoms modelled with zero occupancy, the AltConf column contains the number of residues with at least one atom in alternate conformation and the Trace column contains the number of residues modelled with at most 2 atoms.

- Molecule 1 is a protein called Glycogen phosphorylase, muscle form.

Mol	Chain	Residues	Atoms					ZeroOcc	AltConf	Trace
			Total	C	N	O	S			
1	A	810	6599	4208	1162	1199	30	0	2	0

- Molecule 2 is (2 {R},3 {S},4 {R},5 {R},6 {S})-2-(hydroxymethyl)-6-[5-(4-methylphenyl)-4 {H}-1,2,4-triazol-3-yl]oxane-3,4,5-triol (three-letter code: KS2) (formula: C₁₅H₁₉N₃O₅).



Mol	Chain	Residues	Atoms				ZeroOcc	AltConf
			Total	C	N	O		
2	A	1	23	15	3	5	0	0

- Molecule 3 is PYRIDOXAL-5'-PHOSPHATE (three-letter code: PLP) (formula: C₈H₁₀NO₆P).



Mol	Chain	Residues	Atoms					ZeroOcc	AltConf
			Total	C	N	O	P		
3	A	1	15	8	1	5	1	0	0

- Molecule 4 is DIMETHYL SULFOXIDE (three-letter code: DMS) (formula: C₂H₆OS).



Mol	Chain	Residues	Atoms				ZeroOcc	AltConf
			Total	C	O	S		
4	A	1	4	2	1	1	0	0
4	A	1	4	2	1	1	0	0

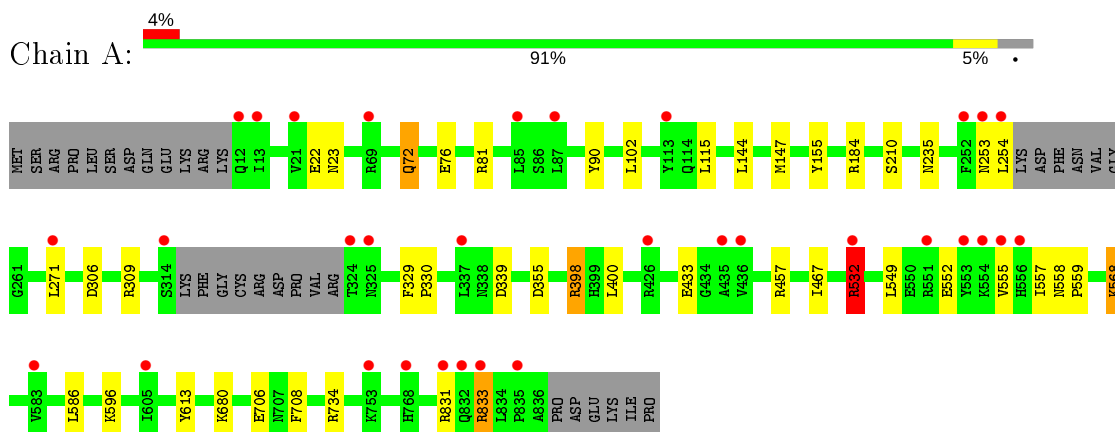
- Molecule 5 is water.

Mol	Chain	Residues	Atoms		ZeroOcc	AltConf
5	A	300	Total 300	O 300	0	0

3 Residue-property plots [i](#)

These plots are drawn for all protein, RNA and DNA chains in the entry. The first graphic for a chain summarises the proportions of the various outlier classes displayed in the second graphic. The second graphic shows the sequence view annotated by issues in geometry and electron density. Residues are color-coded according to the number of geometric quality criteria for which they contain at least one outlier: green = 0, yellow = 1, orange = 2 and red = 3 or more. A red dot above a residue indicates a poor fit to the electron density ($RSRZ > 2$). Stretches of 2 or more consecutive residues without any outlier are shown as a green connector. Residues present in the sample, but not in the model, are shown in grey.

- Molecule 1: Glycogen phosphorylase, muscle form



4 Data and refinement statistics

Property	Value	Source
Space group	P 43 21 2	Depositor
Cell constants a, b, c, α , β , γ	128.54Å 128.54Å 116.30Å 90.00° 90.00° 90.00°	Depositor
Resolution (Å)	37.14 – 1.80 35.66 – 1.80	Depositor EDS
% Data completeness (in resolution range)	98.0 (37.14-1.80) 98.1 (35.66-1.80)	Depositor EDS
R_{merge}	(Not available)	Depositor
R_{sym}	0.06	Depositor
$\langle I/\sigma(I) \rangle$ ¹	2.94 (at 1.81Å)	Xtrriage
Refinement program	REFMAC 5.7.0029	Depositor
R, R_{free}	0.160 , 0.187 0.172 , 0.195	Depositor DCC
R_{free} test set	4333 reflections (4.89%)	wwPDB-VP
Wilson B-factor (Å ²)	26.3	Xtrriage
Anisotropy	0.017	Xtrriage
Bulk solvent k_{sol} (e/Å ³), B_{sol} (Å ²)	0.35 , 45.1	EDS
L-test for twinning ²	$\langle L \rangle = 0.50$, $\langle L^2 \rangle = 0.34$	Xtrriage
Estimated twinning fraction	No twinning to report.	Xtrriage
F_o, F_c correlation	0.97	EDS
Total number of atoms	6945	wwPDB-VP
Average B, all atoms (Å ²)	31.0	wwPDB-VP

Xtrriage's analysis on translational NCS is as follows: *The largest off-origin peak in the Patterson function is 2.62% of the height of the origin peak. No significant pseudotranslation is detected.*

¹Intensities estimated from amplitudes.

²Theoretical values of $\langle |L| \rangle$, $\langle L^2 \rangle$ for acentric reflections are 0.5, 0.333 respectively for untwinned datasets, and 0.375, 0.2 for perfectly twinned datasets.

5 Model quality [i](#)

5.1 Standard geometry [i](#)

Bond lengths and bond angles in the following residue types are not validated in this section: DMS, PLP, KS2

The Z score for a bond length (or angle) is the number of standard deviations the observed value is removed from the expected value. A bond length (or angle) with $|Z| > 5$ is considered an outlier worth inspection. RMSZ is the root-mean-square of all Z scores of the bond lengths (or angles).

Mol	Chain	Bond lengths		Bond angles	
		RMSZ	# Z >5	RMSZ	# Z >5
1	A	0.48	0/6753	0.68	5/9139 (0.1%)

There are no bond length outliers.

All (5) bond angle outliers are listed below:

Mol	Chain	Res	Type	Atoms	Z	Observed(°)	Ideal(°)
1	A	398	ARG	NE-CZ-NH2	8.96	124.78	120.30
1	A	532	ARG	NE-CZ-NH2	6.79	123.69	120.30
1	A	398	ARG	NE-CZ-NH1	-6.62	116.99	120.30
1	A	457	ARG	NE-CZ-NH1	-5.80	117.40	120.30
1	A	457	ARG	NE-CZ-NH2	5.63	123.12	120.30

There are no chirality outliers.

There are no planarity outliers.

5.2 Too-close contacts [i](#)

In the following table, the Non-H and H(model) columns list the number of non-hydrogen atoms and hydrogen atoms in the chain respectively. The H(added) column lists the number of hydrogen atoms added and optimized by MolProbity. The Clashes column lists the number of clashes within the asymmetric unit, whereas Symm-Clashes lists symmetry related clashes.

Mol	Chain	Non-H	H(model)	H(added)	Clashes	Symm-Clashes
1	A	6599	0	6545	16	0
2	A	23	0	0	0	0
3	A	15	0	7	1	0
4	A	8	0	12	1	0
5	A	300	0	0	3	1
All	All	6945	0	6564	16	1

The all-atom clashscore is defined as the number of clashes found per 1000 atoms (including hydrogen atoms). The all-atom clashscore for this structure is 1.

All (16) close contacts within the same asymmetric unit are listed below, sorted by their clash magnitude.

Atom-1	Atom-2	Interatomic distance (Å)	Clash overlap (Å)
1:A:355:ASP:OD2	1:A:398:ARG:HD3	1.91	0.71
1:A:568:LYS:HE2	5:A:1092:HOH:O	2.00	0.60
1:A:532:ARG:HG3	1:A:532:ARG:HH21	1.70	0.57
1:A:253:ASN:ND2	5:A:1002:HOH:O	2.38	0.55
1:A:549:LEU:HB3	1:A:555:VAL:HG23	1.91	0.51
1:A:144:LEU:HD23	1:A:147:MET:CE	2.41	0.50
1:A:329:PHE:HB3	1:A:330:PRO:HD3	1.96	0.48
1:A:72:GLN:O	1:A:76:GLU:HG3	2.15	0.47
1:A:184:ARG:NH1	5:A:1006:HOH:O	2.49	0.46
1:A:309:ARG:HH22	4:A:904:DMS:C2	2.28	0.46
1:A:549:LEU:HD12	1:A:557:ILE:HD13	1.98	0.45
1:A:532:ARG:CG	1:A:532:ARG:HH21	2.29	0.45
1:A:235:ASN:HA	1:A:833:ARG:HG3	2.00	0.42
1:A:680:LYS:NZ	3:A:902:PLP:O3	2.54	0.41
1:A:558:ASN:HA	1:A:559:PRO:HD3	1.91	0.40
1:A:81:ARG:HG2	1:A:155:TYR:HE1	1.86	0.40

All (1) symmetry-related close contacts are listed below. The label for Atom-2 includes the symmetry operator and encoded unit-cell translations to be applied.

Atom-1	Atom-2	Interatomic distance (Å)	Clash overlap (Å)
5:A:1159:HOH:O	5:A:1281:HOH:O[7_556]	2.17	0.03

5.3 Torsion angles [i](#)

5.3.1 Protein backbone [i](#)

In the following table, the Percentiles column shows the percent Ramachandran outliers of the chain as a percentile score with respect to all X-ray entries followed by that with respect to entries of similar resolution.

The Analysed column shows the number of residues for which the backbone conformation was analysed, and the total number of residues.

Mol	Chain	Analysed	Favoured	Allowed	Outliers	Percentiles
1	A	806/843 (96%)	782 (97%)	24 (3%)	0	100 100

There are no Ramachandran outliers to report.

5.3.2 Protein sidechains [i](#)

In the following table, the Percentiles column shows the percent sidechain outliers of the chain as a percentile score with respect to all X-ray entries followed by that with respect to entries of similar resolution.

The Analysed column shows the number of residues for which the sidechain conformation was analysed, and the total number of residues.

Mol	Chain	Analysed	Rotameric	Outliers	Percentiles
1	A	703/732 (96%)	678 (96%)	25 (4%)	35 20

All (25) residues with a non-rotameric sidechain are listed below:

Mol	Chain	Res	Type
1	A	22	GLU
1	A	23	ASN
1	A	72	GLN
1	A	90	TYR
1	A	102	LEU
1	A	115	LEU
1	A	210	SER
1	A	254	LEU
1	A	271	LEU
1	A	306	ASP
1	A	339	ASP
1	A	400	LEU
1	A	433	GLU
1	A	467	ILE
1	A	532	ARG
1	A	552	GLU
1	A	568	LYS
1	A	586	LEU
1	A	596	LYS
1	A	613	TYR
1	A	706	GLU
1	A	708	PHE
1	A	734	ARG
1	A	831	ARG
1	A	833	ARG

Some sidechains can be flipped to improve hydrogen bonding and reduce clashes. There are no such sidechains identified.

5.3.3 RNA [i](#)

There are no RNA molecules in this entry.

5.4 Non-standard residues in protein, DNA, RNA chains [i](#)

There are no non-standard protein/DNA/RNA residues in this entry.

5.5 Carbohydrates [i](#)

There are no carbohydrates in this entry.

5.6 Ligand geometry [i](#)

4 ligands are modelled in this entry.

In the following table, the Counts columns list the number of bonds (or angles) for which Mogul statistics could be retrieved, the number of bonds (or angles) that are observed in the model and the number of bonds (or angles) that are defined in the Chemical Component Dictionary. The Link column lists molecule types, if any, to which the group is linked. The Z score for a bond length (or angle) is the number of standard deviations the observed value is removed from the expected value. A bond length (or angle) with $|Z| > 2$ is considered an outlier worth inspection. RMSZ is the root-mean-square of all Z scores of the bond lengths (or angles).

Mol	Type	Chain	Res	Link	Bond lengths			Bond angles		
					Counts	RMSZ	# Z > 2	Counts	RMSZ	# Z > 2
3	PLP	A	902	1	15,15,16	2.39	3 (20%)	20,22,23	1.50	3 (15%)
4	DMS	A	903	-	3,3,3	0.40	0	3,3,3	0.89	0
2	KS2	A	901	-	23,25,25	0.59	0	31,36,36	1.45	4 (12%)
4	DMS	A	904	-	3,3,3	0.57	0	3,3,3	0.48	0

In the following table, the Chirals column lists the number of chiral outliers, the number of chiral centers analysed, the number of these observed in the model and the number defined in the Chemical Component Dictionary. Similar counts are reported in the Torsion and Rings columns. '-' means no outliers of that kind were identified.

Mol	Type	Chain	Res	Link	Chirals	Torsions	Rings
3	PLP	A	902	1	-	2/6/6/8	0/1/1/1
2	KS2	A	901	-	-	0/6/30/30	0/3/3/3

All (3) bond length outliers are listed below:

Mol	Chain	Res	Type	Atoms	Z	Observed(Å)	Ideal(Å)
3	A	902	PLP	C5-C4	5.95	1.47	1.40
3	A	902	PLP	C3-C2	5.51	1.46	1.40
3	A	902	PLP	C3-C4	3.53	1.47	1.40

All (7) bond angle outliers are listed below:

Mol	Chain	Res	Type	Atoms	Z	Observed(°)	Ideal(°)
2	A	901	KS2	C1-N5-C4	5.44	107.19	103.79
3	A	902	PLP	C6-N1-C2	2.66	124.10	119.17
3	A	902	PLP	C4A-C4-C5	-2.43	118.43	120.94
3	A	902	PLP	O4P-C5A-C5	-2.28	105.02	109.35
2	A	901	KS2	C8-C7-C6	-2.22	117.94	121.13
2	A	901	KS2	C11-C10-C9	-2.18	118.46	121.38
2	A	901	KS2	C7-C6-C11	2.02	121.62	117.59

There are no chirality outliers.

All (2) torsion outliers are listed below:

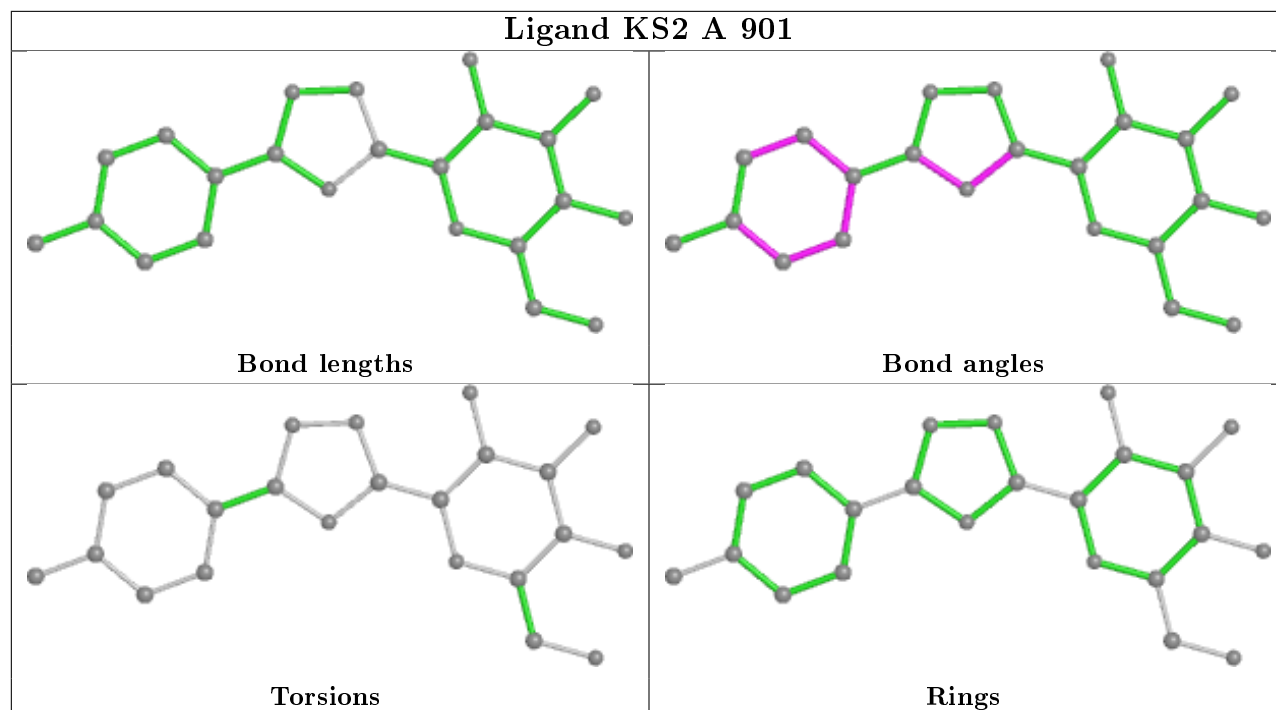
Mol	Chain	Res	Type	Atoms
3	A	902	PLP	C6-C5-C5A-O4P
3	A	902	PLP	C4-C5-C5A-O4P

There are no ring outliers.

2 monomers are involved in 2 short contacts:

Mol	Chain	Res	Type	Clashes	Symm-Clashes
3	A	902	PLP	1	0
4	A	904	DMS	1	0

The following is a two-dimensional graphical depiction of Mogul quality analysis of bond lengths, bond angles, torsion angles, and ring geometry for all instances of the Ligand of Interest. In addition, ligands with molecular weight > 250 and outliers as shown on the validation Tables will also be included. For torsion angles, if less than 5% of the Mogul distribution of torsion angles is within 10 degrees of the torsion angle in question, then that torsion angle is considered an outlier. Any bond that is central to one or more torsion angles identified as an outlier by Mogul will be highlighted in the graph. For rings, the root-mean-square deviation (RMSD) between the ring in question and similar rings identified by Mogul is calculated over all ring torsion angles. If the average RMSD is greater than 60 degrees and the minimal RMSD between the ring in question and any Mogul-identified rings is also greater than 60 degrees, then that ring is considered an outlier. The outliers are highlighted in purple. The color gray indicates Mogul did not find sufficient equivalents in the CSD to analyse the geometry.



5.7 Other polymers [i](#)

There are no such residues in this entry.

5.8 Polymer linkage issues [i](#)

There are no chain breaks in this entry.

6 Fit of model and data

6.1 Protein, DNA and RNA chains

In the following table, the column labelled ‘#RSRZ> 2’ contains the number (and percentage) of RSRZ outliers, followed by percent RSRZ outliers for the chain as percentile scores relative to all X-ray entries and entries of similar resolution. The OWAB column contains the minimum, median, 95th percentile and maximum values of the occupancy-weighted average B-factor per residue. The column labelled ‘Q< 0.9’ lists the number of (and percentage) of residues with an average occupancy less than 0.9.

Mol	Chain	Analysed	<RSRZ>	#RSRZ>2	OWAB(Å ²)	Q<0.9
1	A	810/843 (96%)	-0.04	32 (3%) 38 32	17, 28, 52, 90	0

All (32) RSRZ outliers are listed below:

Mol	Chain	Res	Type	RSRZ
1	A	324	THR	10.2
1	A	252	PHE	6.9
1	A	253	ASN	5.1
1	A	556	HIS	4.0
1	A	435	ALA	4.0
1	A	12	GLN	3.9
1	A	254	LEU	3.2
1	A	831	ARG	3.2
1	A	554	LYS	3.1
1	A	13	ILE	3.1
1	A	555	VAL	3.0
1	A	325	ASN	3.0
1	A	271	LEU	2.9
1	A	605	ILE	2.9
1	A	832	GLN	2.8
1	A	551	ARG	2.8
1	A	337	LEU	2.8
1	A	835	PRO	2.6
1	A	69	ARG	2.6
1	A	436	VAL	2.6
1	A	113	TYR	2.5
1	A	21	VAL	2.5
1	A	753	LYS	2.5
1	A	87	LEU	2.4
1	A	314	SER	2.4
1	A	553	TYR	2.4
1	A	85	LEU	2.3

Continued on next page...

Continued from previous page...

Mol	Chain	Res	Type	RSRZ
1	A	833	ARG	2.2
1	A	768	HIS	2.1
1	A	532	ARG	2.1
1	A	426	ARG	2.1
1	A	583	VAL	2.0

6.2 Non-standard residues in protein, DNA, RNA chains [i](#)

There are no non-standard protein/DNA/RNA residues in this entry.

6.3 Carbohydrates [i](#)

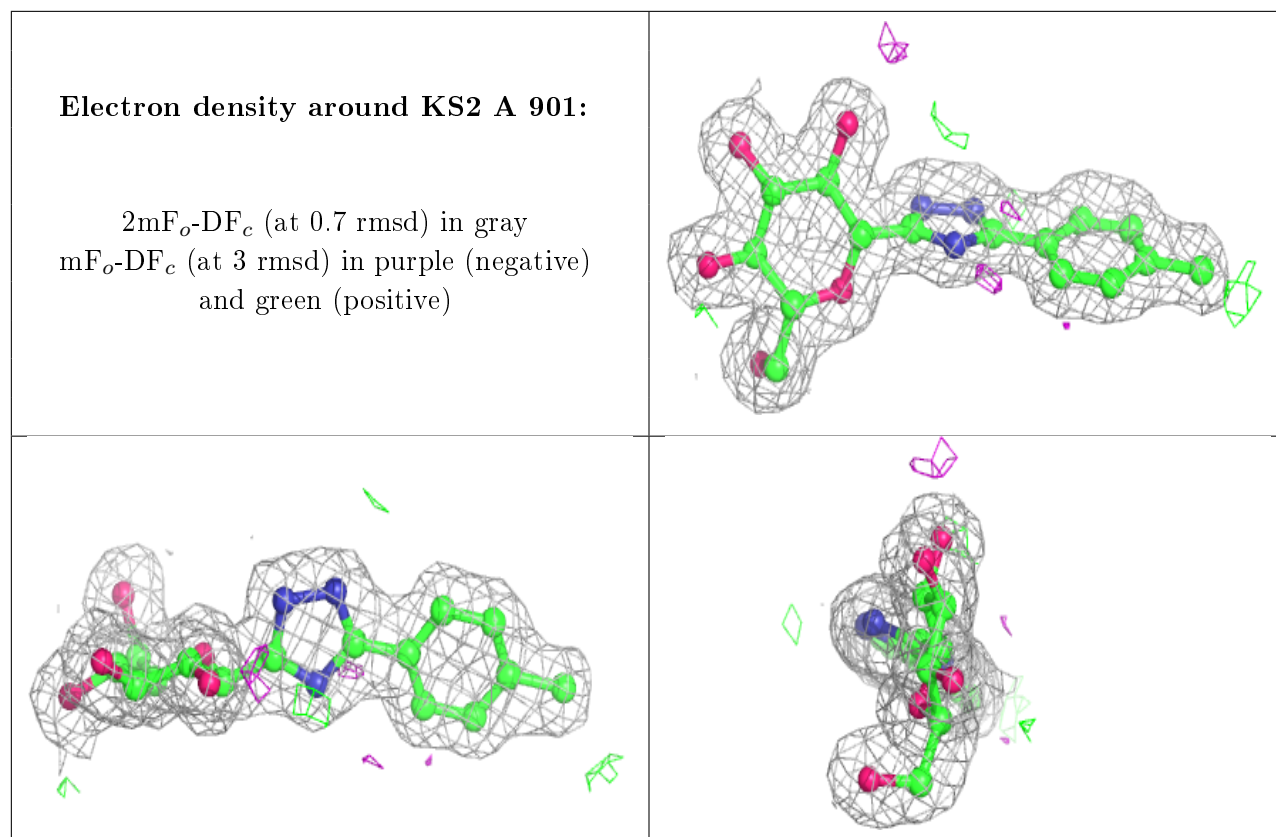
There are no carbohydrates in this entry.

6.4 Ligands [i](#)

In the following table, the Atoms column lists the number of modelled atoms in the group and the number defined in the chemical component dictionary. The B-factors column lists the minimum, median, 95th percentile and maximum values of B factors of atoms in the group. The column labelled 'Q< 0.9' lists the number of atoms with occupancy less than 0.9.

Mol	Type	Chain	Res	Atoms	RSCC	RSR	B-factors(Å ²)	Q<0.9
4	DMS	A	903	4/4	0.53	0.28	70,76,76,80	0
4	DMS	A	904	4/4	0.91	0.12	57,58,60,60	0
2	KS2	A	901	23/23	0.98	0.08	16,18,21,24	0
3	PLP	A	902	15/16	0.99	0.13	17,18,20,20	0

The following is a graphical depiction of the model fit to experimental electron density of all instances of the Ligand of Interest. In addition, ligands with molecular weight > 250 and outliers as shown on the geometry validation Tables will also be included. Each fit is shown from different orientation to approximate a three-dimensional view.



6.5 Other polymers [i](#)

There are no such residues in this entry.